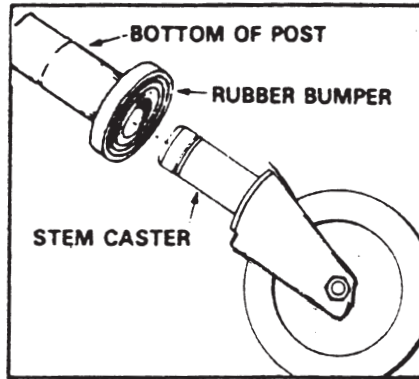


**A FOR USE AS FREE-STANDING, STATIONARY SHELVING:**

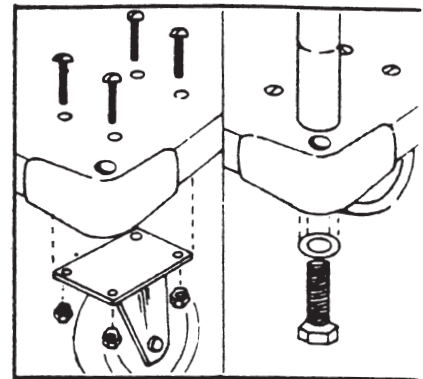
Before assembly, lay out storage area according to desired configuration. "T", "L" or "U" configurations may be used.

Insert the tapered foot bushing into the bottom of each post. Seat securely by tapping with a rubber mallet. Screw the adjustable foot levelers into each bushing. After assembly, stand unit upright and adjust the foot levelers as required.



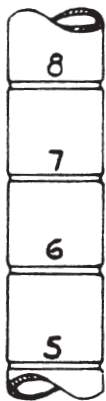
**B FOR USE WITH STEM CASTERS:**

Slip rubber wheel bumpers over the bottom of each post. Push swivel stem casters into bottom of each post. Seat securely. (Note: Tapered foot bushing and levelers are not required when using stem casters.)



**C FOR USE WITH DOLLY BASE:**

Attach plate casters to dolly base with hardware provided. Insert the tapered foot bushing into the bottom of each post as shown in illustration "A". Seat securely by tapping with a rubber mallet. Remove the assembly bolts, washers and nuts from each corner of dolly base. Line up the shelving posts with the 4 corner holes on the dolly base. From the bottom side of the base, insert bolt and washer into bushing. Tighten securely.

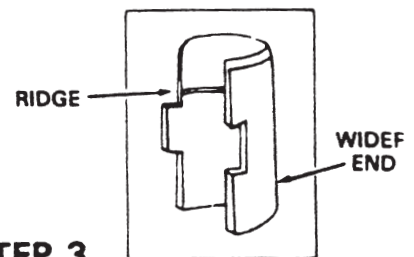
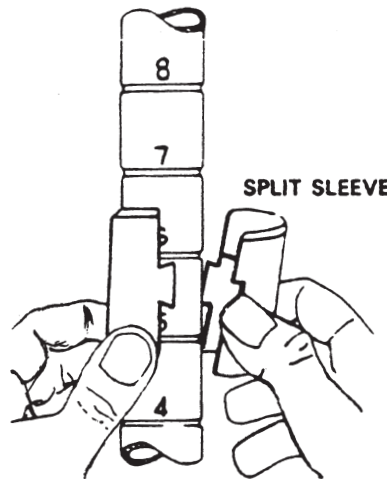


**STEP 1.**

First perform "A", "B" or "C" according to the style you have selected. NOTE: Unit is erected from bottom shelf up. Posts are grooved and numbered in 1" increments. (Number shown is approximate height of shelf from floor not including casters.)

**STEP 2.**

Select the height of lowest shelf.

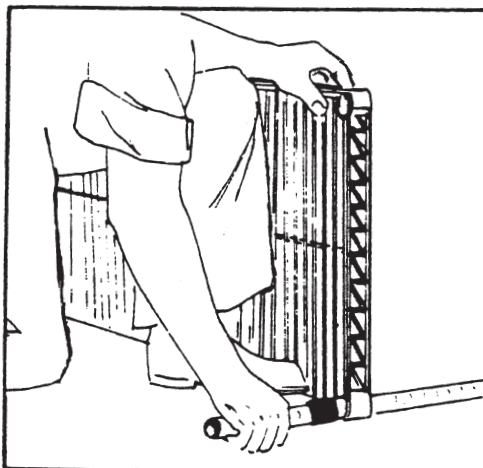


**STEP 3.**

Hold one half of split sleeve against post with wider end down. Fit "ridge" inside the split sleeve in groove and snap split sleeve on. Then snap on the other matching half of the sleeve.

**STEP 4.**

Repeat Step 3 at the same height for each of the other three posts.



**STEP 5.**

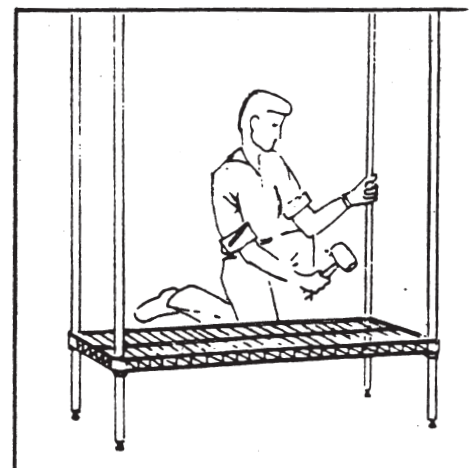
Stand lowest shelf on its side. Insert posts from bottom into all four corners so the split sleeves fit inside each corner. Stand unit upright.

**STEP 6.**

At each corner, push shelf firmly down onto split sleeve. If necessary for a snug fit, tap corner lightly with a rubber mallet.

**STEP 7.**

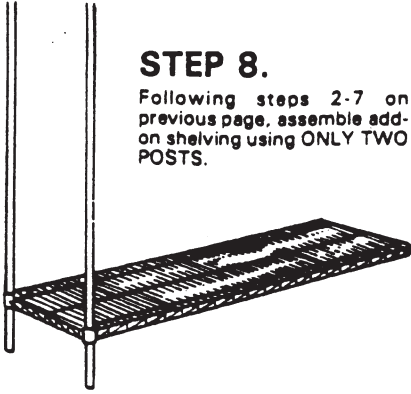
Select height of next lower shelf. Repeat Steps 3-6 for the remaining shelves. NOTE: In lieu of step 5, do the following. Slide shelf onto posts at all four corners so the split sleeves fit inside each corner.



## FOR ADD-ON UNITS:

### STEP 8.

Following steps 2-7 on previous page, assemble add-on shelving using ONLY TWO POSTS.



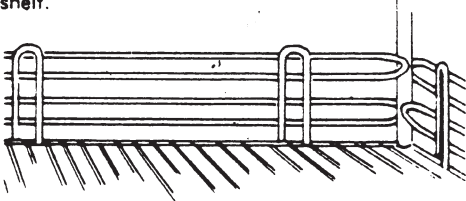
### STEP 9.

Two S-hooks included per shelf. Place hooks over shelf edge of free-standing unit and lower adjoining shelf edge of add-on unit onto hooks. Repeat for remaining shelves.



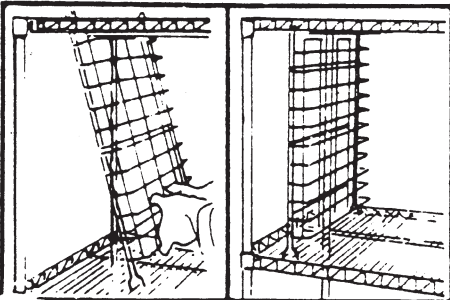
## FOR BACK OR SIDE LEDGES:

Align ledge ends around post and snap onto shelf.



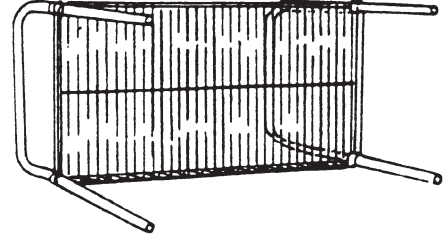
### TRAY SLIDE INSERT

Hook tray insert over longitudinal support wires of upper shelf. Lock tray insert into place on lower shelf.



### STEP 1.

NOTE: Unit is erected from top shelf down. U-handle posts are grooved 1" increments. Select height of top shelf.

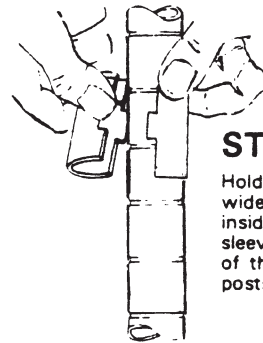
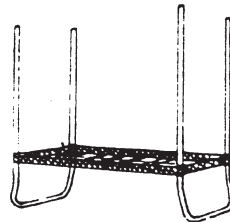


### STEP 2.

Place shelf on its side on floor. From top side of shelf, insert U-shaped handles into the four corners.

### STEP 3.

Turn unit upside down.



### STEP 4.

Hold one half of split sleeve against post with wider end towards bottom of post. Fit "ridge" inside split sleeve into groove and snap split sleeve on. Then snap on the other matching half of the sleeve. Repeat for each of the other posts.

### STEP 5.

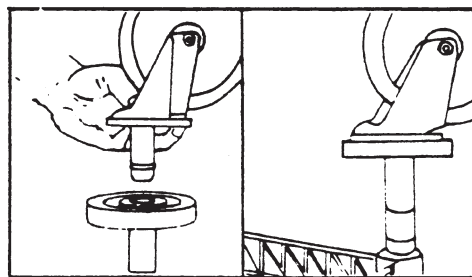
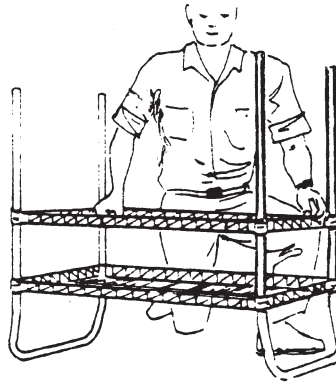
Slide next shelf down over posts.

### STEP 6.

Select height of shelf and repeat step 4.

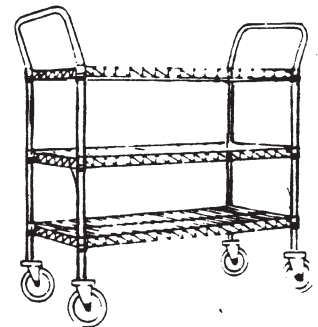
### STEP 7.

For three-shelf units repeat steps 4, 5 and 6 for remaining shelf.



### STEP 8.

Slip rubber wheel bumpers over the bottom of each post, push swivel stem casters into bottom of each post. Seat securely.



### STEP 9.

Stand cart upright and push each shelf firmly down onto split sleeve. If necessary for a snug fit, tap corner lightly with a rubber mallet.